

**McKinleyville Community Services District
McKinleyville BMX and Park Project**

Bid Addendum #2

Date of Issue: 29 April 2024

To all prospective bidders of record on the Work titled: **McKinleyville BMX and Park Project**

The Drawings and Project Manual including Specifications are modified as follows. This Addendum is part of the Contract Documents and modifies the original documents.

Acknowledge receipt of this Addendum in the space provided in the BID FORM. Failure to do so may subject the Bidder to disqualification.

Note: The following are attached:

- I.I. Questions & Answers from date of issue of Addendum #1 up to the date of issue of this Addendum
- II. Requested Cutsheets: LSI Sensory Play Wall, LSI Cozy Dome, LSI Cycler, Interpretive Panel, Drinking Fountain, Solar Security Lights
- III. Plan Sheet E5.0 REV 1, 4/29/2024

This Addendum, with attachments, consists of 12 pages.

I. QUESTIONS & ANSWERS FROM DATE OF ISSUE OF ADDENDUM #1 UP TO THE DATE OF ISSUE OF THIS ADDENDUM

- 1. I have some questions pertaining to bid item #23.
 - a. On the plan set, the conduit running from the new 200A service pedestal to the new electrical panel is labeled having #10 wire running between the two 200A breakers in 3 inch conduit. This seems like it may be incorrect.

RESPONSE: The plans have been corrected, see revised sheet E5.0

- b. Also, the location of this new electrical panel is located in the restroom mechanical room, which happens to be an alternate. I understand that if the restroom is purchased, the panel will be supplied by the manufacturer, if the restroom is not purchased, alternate is not chosen, is the new electrical panel that serves the three receptacle circuits and irrigation loads to be located within the same vicinity of the proposed location of the restroom.

RESPONSE: No, see revised sheet E5.0

- c. Assuming the restroom is not purchased, this new electrical panel would be backboard mounted and outdoor rated.

RESPONSE: No, see revised sheet E5.0

- 2. Is there any more detail pertaining to the Solar Security Lighting. I see that the poles shall be rated for 90 mph with a 1.3 gus factor as well as 14 feet in height. Is there a specific lighting system that is wanted to be used?

RESPONSE: Yes, see revised sheet E5.0

I do not see detail drawings/cut sheets on the plans or inn the specifications for the following items: LSI Sensory Play Wall, LSI Cozy Dome, LSI Cycler, Interpretive Panel, Drinking Fountain, and Solar Security Lights. Can you please provide so I can get quoted accurately?

RESPONSE: Yes, they are included in this addendum.

CHANGES TO SPECIFICATIONS

No Changes

CHANGES TO DRAWINGS

Sheet E5.0 - Electrical Plan: Legend and Plan Callouts have been edited.
Lighting on Plan has been revised. Note has been added.



Sensory Play Center® Wall

Model #168100

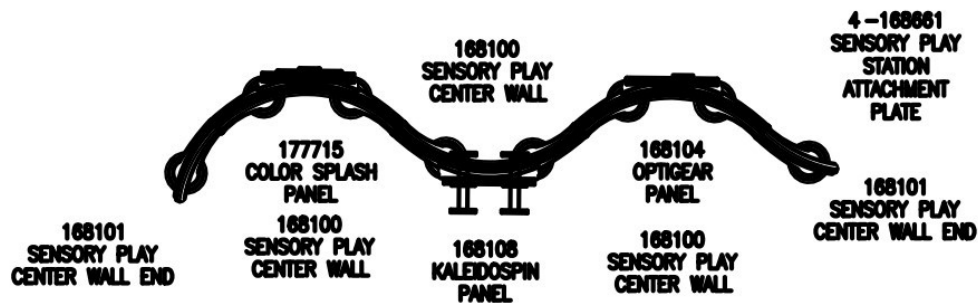
Product Overview and Features

Overview

The Sensory Play Center® is more than fun. By engaging the senses, it helps kids of all abilities further their development as they play together. Built-in tactile elements encourage kids to explore various rough and smooth textures and shapes. It can be configured to fit any size or budget.

Features

- Can have panels for play on one or both sides
- Constructed from UV stabilized roto molded polyethylene
- It is designed with many shapes and textures to create tactile sensory stimulation
- U.S. Patent No. 8,936,502
- Surface mount or direct bury



Contact: Nick Philbin @ Ross Recreation Equipment 707-538-3800



Cozy Dome®

Model #168099

Product Overview and Features

Overview

The Cozy Dome® offers kids a place to escape the hustle and bustle of a busy playground, take time by themselves or socialize together.

Features

- A quiet space for over-stimulated kids
- Peek holes let kids and supervisors keep an eye on the action
- Various textures on the outer surface create a perfect climbing experience

Shipping Weight

247 lbs

Dimensions

- Max Fall Height: 46" (1,17 m)
- Min Area Required: 19' x 19' (5,79 m x 5,79 m)



Contact: Nick Philbin @ Ross Recreation Equipment 707-538-3800



Cycler

Model #158107

Product Overview and Features

Overview

The Cycler is a sleek outdoor play event that helps kids build upper-body strength. The unique design is **wheelchair accessible**, so kids of all abilities can join the fun.

Features

- Build upper-body strength
- Builds upper-body strength
- For kids of all ages and abilities
- Handgrips and pedals constructed of high-density polyethylene for a safe grasp

Shipping Weight

48 lbs

Dimensions

- Min Area Required: 14'11" x 13'6" (4,55 m x 4,11 m)



Contact: Nick Philbin @ Ross Recreation Equipment 707-538-3800

24" x 36" Single Pedestal

Assembly and In-ground Installation

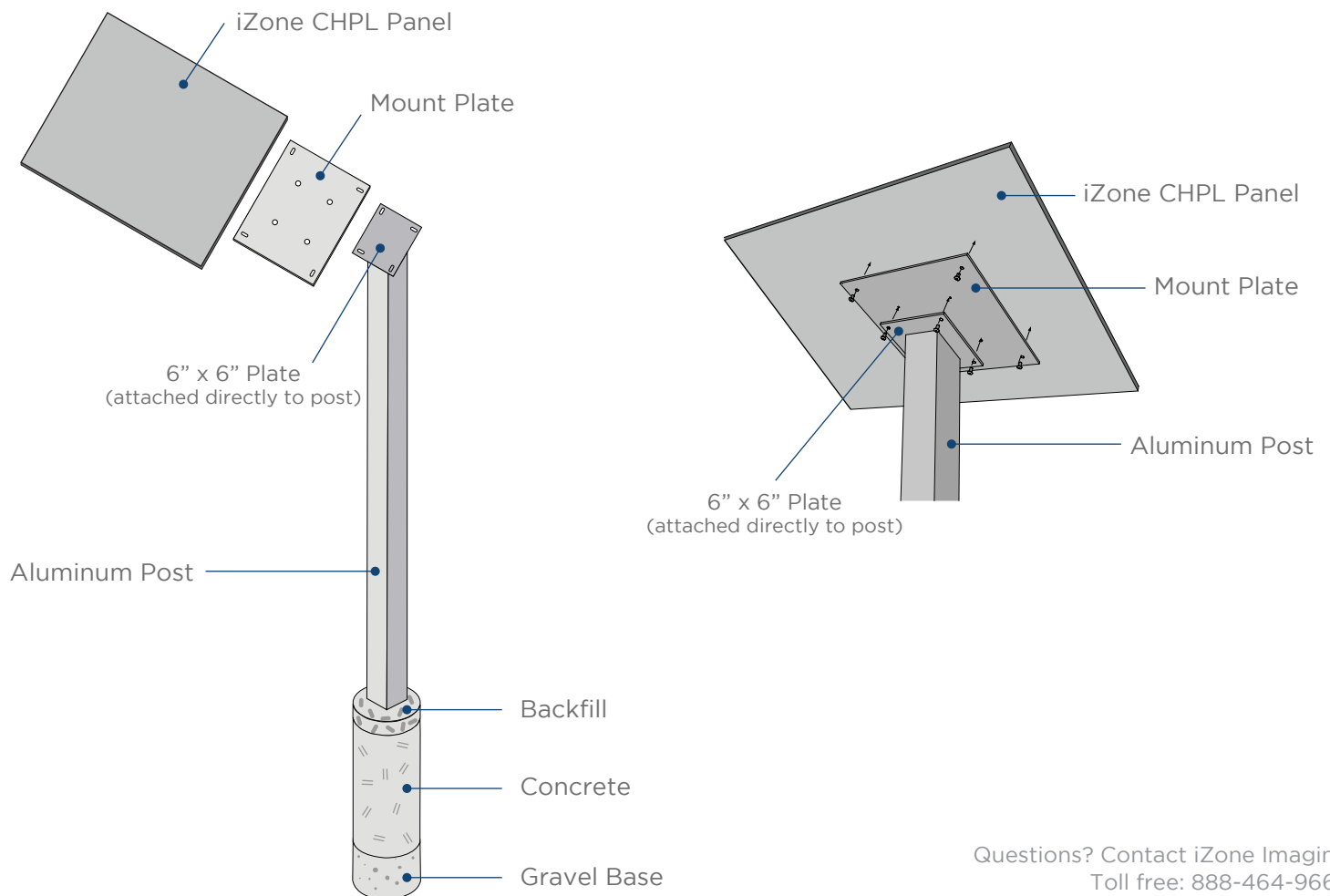
DIRECTIONS

1. Dig an 8" diameter hole to 6" below the frost line, considering the desired install height from grade.
2. Add gravel, tamp and verify installation height.
3. Wrap post with kraft paper or plastic sheet to protect from concrete spatter. Stabilize post in hole with wood braces and clamps. Add prepared concrete, verify level, plumb and installation height.
4. Remove braces and plastic sheeting after concrete is set. Clean exhibit with soap and water, backfill if desired.
5. Can use optional 6" long piece of rebar through hole at bottom of post to prevent post from pulling out of set concrete.

At installation height 32" from grade, 45° angle, standard 60" post length. Refer to your area's recommendations for specific below-grade installation requirements.

TOOLS REQUIRED

- | | |
|--------------------|--------------------------------|
| • Post hole digger | • Concrete |
| • Shovel | • Gravel |
| • Wood braces | • Soil |
| • Clamps | • Tamping stick for gravel |
| • Level | • Kraft paper or plastic sheet |
| • Tape Measure | |



Questions? Contact iZone Imaging
Toll free: 888-464-9663

PRODUCT SPECIFICATIONS

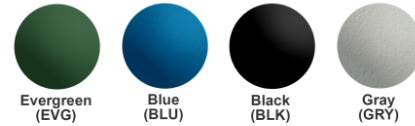
Elkay Outdoor ezH2O[®] Upper Bottle Filling Station Bi-Level Pedestal with Pet Station Non-Filtered Non-Refrigerated. Features shall include Heavy Duty Vandal Resistant, Laminar Flow, Pet Fountain, 300 Series Stainless. Furnished with Vandal Resistant bubbler. Mechanical Button activation. Product shall be Floor Mount/Freestanding, for Outdoor applications, serving 2 station(s).

Special Features:	Heavy Duty Vandal Resistant, Laminar Flow, Pet Fountain, 300 Series Stainless
Finish:	Black (BK), Blue (BLU), Evergreen (EVG), Gray (GRY)
Power:	No Electrical Required
Bubbler Style:	Vandal Resistant
Activation by:	Mechanical Button
Mounting Type:	Floor Mount/Freestanding
Chilling Capacity:	Non-refrigerated
Dimensions (L x W x H):	26" x 31" x 64"
Approx. Shipping Weight:	205 lbs.
Installation Location:	Outdoor
No. of Stations Served:	2

**When used in non-temperature controlled environments, unit(s) must be adequately winterized and/or protected from extreme heat to prevent damage where climates dictate.

Special Note: Bottle Filler Stations 1 (Upper), Bubbler Stations 1 (Low), Choose from 4 color options

- Mechanically-Activated unit continues to supply water in event of service disruptions.
- Laminar flow provides clean fill with minimal splash.
- Pet Fountain: Features slow drainage for easy drinking.



Included with Product: Outdoor Bottle Filler Ships in one box.

A Century of Tradition and Quality. For more than 100 years, Elkay has been making innovative products and providing exceptional customer care. We take pride in offering plumbing products that make life easier, inspire change and leave the world a better place.



PRODUCT COMPLIANCE

- ADA & ICC A117.1
- ASME A112.19.3/CSA B45.4
- GreenSpec[®]
- NSF/ANSI 61 (Q≤1) & 372 (lead free)



Complies with ADA & ICC A117.1 accessibility requirements when installed according to the requirements outlined in these standards. Installation may require additional components and/or construction features to be fully compliant. Consult the local Authority Having Jurisdiction if necessary.

[Installation Instructions \(PDF\) - 1000003948](#)

Warranty pertains to drinking water applications only. Non-drinking water applications are not covered under warranty.

[Warranty \(PDF\)](#)

PART: _____ QTY: _____

PROJECT: _____




CONTACT: _____

DATE: _____

NOTES: _____

APPROVAL: _____

In keeping with our policy of continuing product improvement, Elkay reserves the right to change product specifications without notice. Please visit elkay.com for the most current version of Elkay product specification sheets. This specification describes an Elkay product with design, quality, and functional benefits to the user. When making a comparison of other producers' offerings, be certain these features are not overlooked.

Optional Accessories		
LK4471LHB	Locking Hose Bib Spec Sheet (PDF)	
97890C	Accessory - Direct Bury Adaptor Spec Sheet (PDF)	
4481FP	Outdoor Bottle Filler Foot Pedal Accessory Spec Sheet (PDF)	

In keeping with our policy of continuing product improvement, Elkay reserves the right to change product specifications without notice. Please visit elkay.com for the most current version of Elkay product specification sheets. This specification describes an Elkay product with design, quality, and functional benefits to the user. When making a comparison of other producers' offerings, be certain these features are not overlooked.

MOUNTING INSTRUCTIONS and PLUMBING CONNECTIONS

Provide solid, well-drained surface to mount pedestal fountain (concrete pad recommended). Mount on a smooth, flat, finished surface with adequate support (300 lb. load minimum). Secure unit with (8) 3/8" minimum fasteners (not included). Refer to rough-in. Should be attached firmly to mounting surface in order to secure unit.

Modified low stream height bubbler for pet fountain.

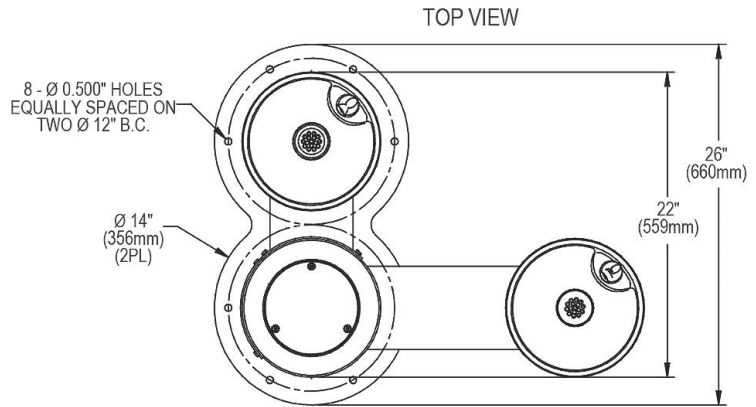
Locate and install plumbing through ground as required.

NOTE: Unit is not furnished with service valve.

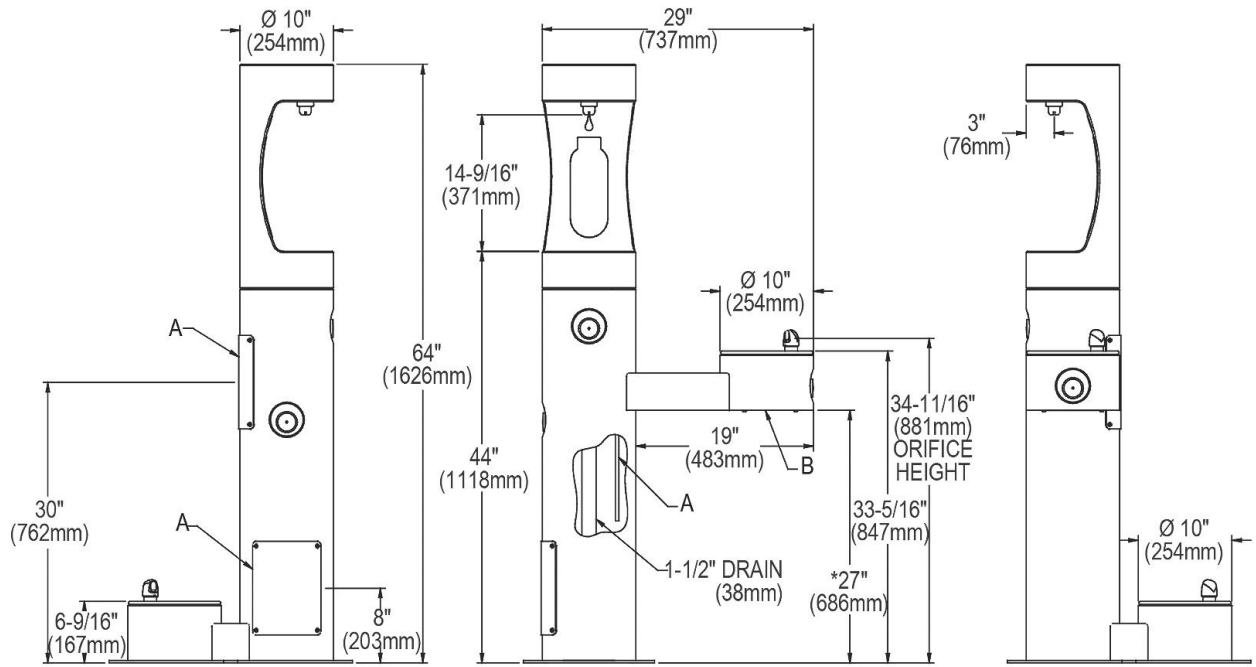
Position pedestal over plumbing and secure base to fasteners. Remove access panels and connect supply and water lines. Turn on water supply and check for leaks. Reassemble access panels to pedestal.

Trap and service stop not included.

OPERATING PRESSURES:
Supply water 20 – 105 psi maximum



FRONT & SIDE VIEWS



A = 3/8" O.D. Unplated copper tube connect. Shut off valve by others.
B = Access panel(8" x 10").
C = Removable bottom cover.
Note : New Installations Must Use Ground Fault Circuit Interrupter (GFCI).

* ADA Requirement

In keeping with our policy of continuing product improvement, Elkay reserves the right to change product specifications without notice. Please visit elkay.com for the most current version of Elkay product specification sheets. This specification describes an Elkay product with design, quality, and functional benefits to the user. When making a comparison of other producers' offerings, be certain these features are not overlooked.

SOLAR LED INTEGRATED ARCHITECTURAL AREA LIGHT

Project: _____

Type: _____

Quantity: _____

The IPL series solar LED luminaire is an ideal choice for architectural, commercial, recreational pathway and public space lighting applications. The self-contained, contemporary, rectilinear design smartly embraces modern solar power, adaptive control and LED technologies. With robust construction and unequalled performance, the IPL series is an excellent fit wherever high-quality, full-cutoff lighting and minimal visual clutter is required.

Using solar power and LEDs, the IPL is completely self-contained and offers significant benefits over grid-based lights including:

- Cost-effective design that ships fully assembled and installs in minutes
- Wireless control & communication with your light
- Low installation cost and minimal site impact with no trenching, cabling or wiring
- Minimal ongoing costs with no electrical bills or bulbs to change
- Operates entirely independent from the grid and is immune to power outages
- A sustainable choice without recurring carbon emissions

All of our solar powered lights are enabled by our innovative Solar Lighting Controller (SLC). The SLC in each light is “self-learning” and allows the lights to predictively adapt to their surroundings, providing a level of lighting performance and reliability unavailable in other solar lighting products.



WIRELESS
CONTROL APP

TECHNICAL SPECIFICATIONS

- Solar Module:**
- High-efficiency monocrystalline cells
 - Inconspicuously integrated into the top of luminaire
 - Used for day/night detection (no photocell required)

- Solar Lighting Controller (SLC):**
- High-efficiency Maximum Power Point Tracking (MPPT)
 - Microcontroller based technology
 - Includes high-efficiency LED driver
 - Multiyear data logging
 - Integrated into luminaire housing
 - Designed to automatically manage lighting performance based on environmental conditions and lighting requirements
 - Potted weatherproof construction

- Battery:**
- High-performance lithium (LiFePO₄)
 - Exceptional 10+ year lifecycle
 - High-temperature tolerance
 - Contained within luminaire housing
 - Designed for easy battery changes when required

- LEDs and Optics:**
- 100,000 hour L70 lifetime
 - Extra Warm White (2700K), Warm White (3000K), Neutral White (4000K), and Amber (595nm) LEDs available
 - High-efficiency type 2, 3, 4, 4F, and 5, full cut-off optics
 - Typical lumen output of 1250 lumens
 - Optional backlight shield
 - Wildlife-friendly amber option available

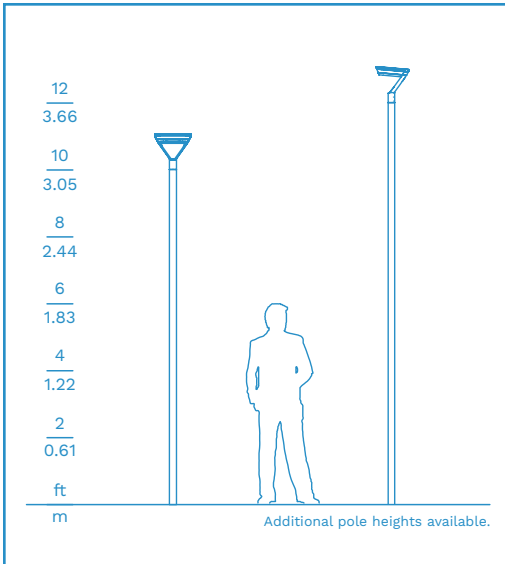
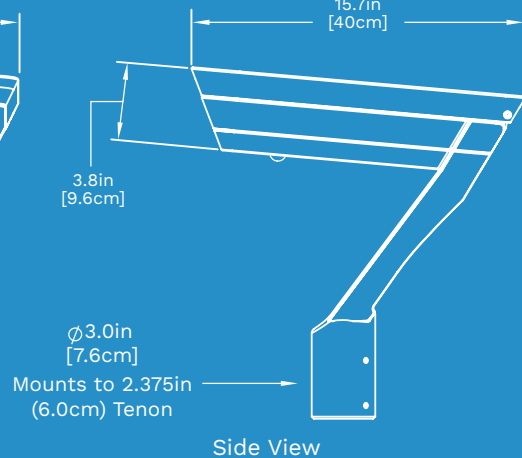
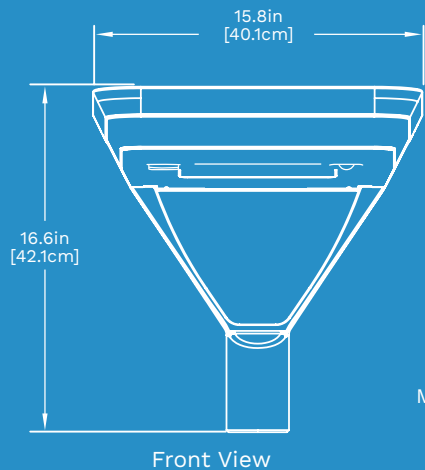
- Mechanical Construction:**
- Cast, low copper aluminum design
 - Stainless fasteners with security fastener option
 - Architectural grade, super durable, TGIC powder coat
 - Four standard colors with custom colors available

- Lighting Profiles:**
- 11 standard profiles options
 - Real-time based lighting profiles available
 - See lighting profile sheet for all options
 - Motion sensing capabilities optimize performance based usage
 - Lighting profiles and motion sensing options are field configurable with app

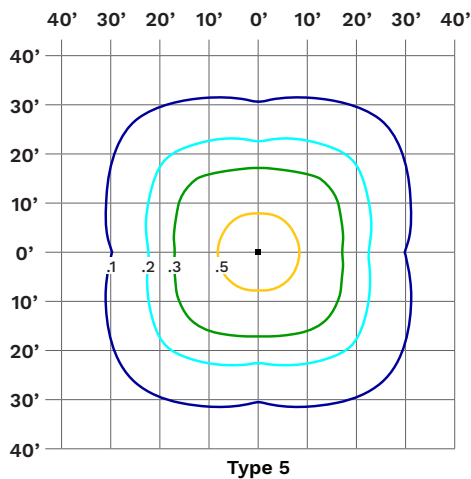
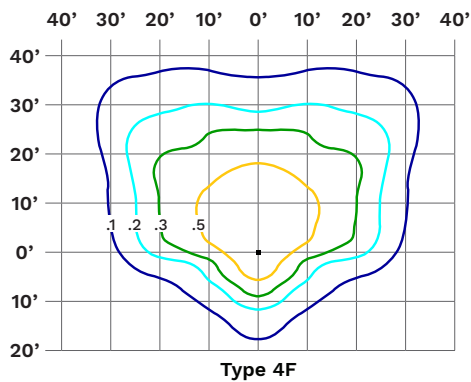
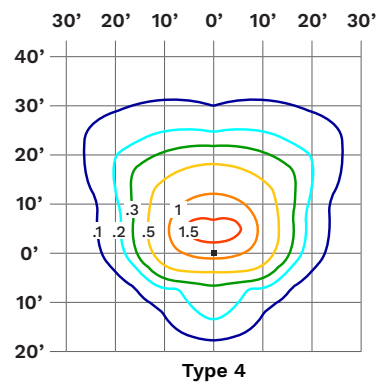
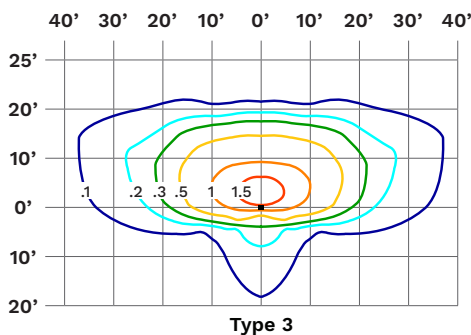
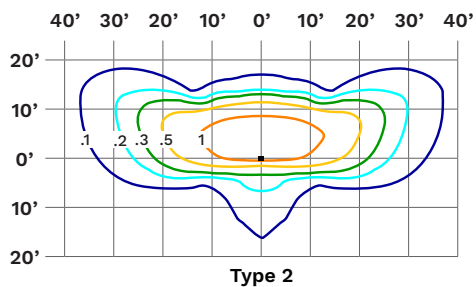
- Wireless Controls:**
- Bluetooth low energy interface with iOS app
 - Provide configuration and control of lighting profiles
 - Adjust dusk and dawn thresholds
 - Motion sensing capabilities optimize performance based on usage

SOLAR LED INTEGRATED ARCHITECTURAL AREA LIGHT

EPA: 0.65ft² (0.06m²) | Weight: 24.7 lbs (11.2 kg) including battery



PHOTOMETRICS (IES files available on website)



Notes:

- Photometrics based on 12 ft mounting height
- Light levels in foot candles are calculated using 1250 lumens at 4000K color temperature
- To convert to lux multiply light levels by 10.7
- Typical lumen levels based off of Type 5 optic with the default profile using neutral white LEDs
- Contact us for help in choosing the right lighting profile and distribution
- Motion sensing is ON by default
- Specifications subject to change without notice

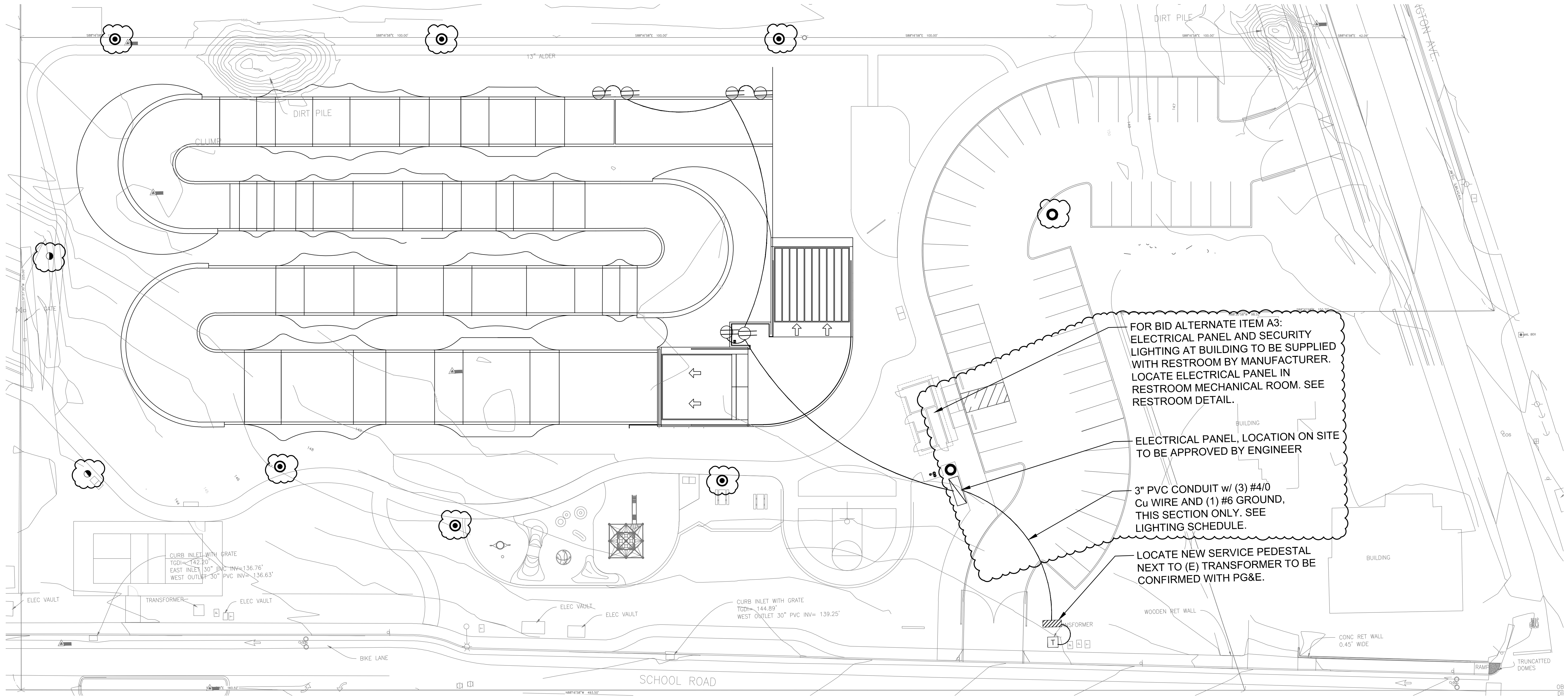
ORDER MATRIX



Series	Mounting	Finish	Distribution	LED	Lighting Profile (Full list on website)	Options
IPL	PTM - Post Top Mount	BK - Black	T2 - Type 2	XW - 2700K	00 - Dusk till dawn	SEC - Security Fasteners
		BZ - Bronze	T3 - Type 3	WW - 3000K	09 - On at dusk, 100% for 3 hours, dim to 30%, brighten to 100% one hour before dawn, off at dawn (DEFAULT)	MSO - Motion Sensor Off
		SV - Silver	T4 - Type 4	NW - 4000K		BLS - Backlight Shield
		WH - White	T4F - Type 4F	AMB - Amber	TX0000 - On at dusk until time between 1800 & 0600. X = O (Off) or D (Dim). 0000 = time to dim or turn off.	
		CC - Custom	T5 - Type 5			



NO.	DESCRIPTION	DATE
1.	30% CD's	07-14-2023
2.	75% CD's	09-15-2023
3.	100%-DRAFT BID	12-22-2023
4.	100%-BID	05-06-2024
5.	REV 1	04-29-2024
6.		
7.		
8.		



FOR BID ALTERNATE ITEM A3:
ELECTRICAL PANEL AND SECURITY
LIGHTING AT BUILDING TO BE SUPPLIED
WITH RESTROOM BY MANUFACTURER.
LOCATE ELECTRICAL PANEL IN
RESTROOM MECHANICAL ROOM. SEE
RESTROOM DETAIL.

ELECTRICAL PANEL, LOCATION ON SITE
TO BE APPROVED BY ENGINEER

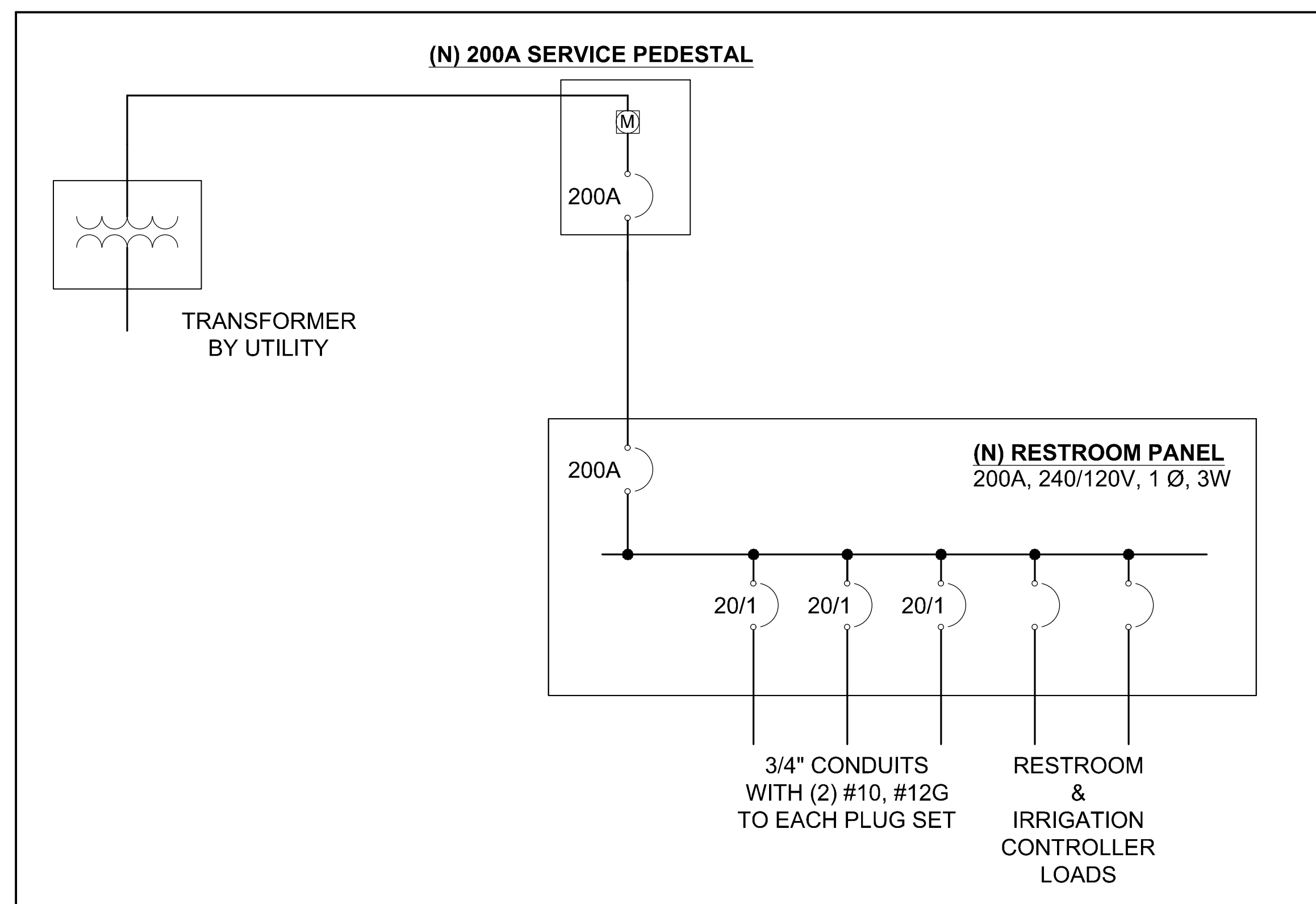
3" PVC CONDUIT w/ (3) #4/0
Cu WIRE AND (1) #6 GROUND,
THIS SECTION ONLY. SEE
LIGHTING SCHEDULE.

LOCATE NEW SERVICE PEDESTAL
NEXT TO (E) TRANSFORMER TO BE
CONFIRMED WITH PG&E.

ELECTRICAL SCHEDULE:

SYMBOL	MANUFACTURER/MODEL/DESCRIPTION	QTY	DETAIL
	110V DUPLEX OUTLET IN WATER PROOF ENCLOSURE.	6	
	FIRST LIGHT TECHNOLOGIES MODEL: IPL-PTM-BK-T2-XW-04 12" ROUND ALUMINUM POLE, OR APPROVED EQUAL CONTACT: SEAN CHENEY @ SCL NORTH 805-548-0200	6	
	FIRST LIGHT TECHNOLOGIES MODEL: IPL-PTM-BK-T2-XW-04-BLS 12" ROUND ALUMINUM POLE, OR APPROVED EQUAL CONTACT: SEAN CHENEY @ SCL NORTH 805-548-0200	2	
	FIRST LIGHT TECHNOLOGIES MODEL: IPL-PTM-BK-T4F-XW-04 12" ROUND ALUMINUM POLE, OR APPROVED EQUAL CONTACT: SEAN CHENEY @ SCL NORTH 805-548-0200	2	
	SERVICE PEDESTAL 200A CONFIGURE PER ONE-LINE DIAGRAM.	1	
	TRANSFORMER BY UTILITY	1	
	ELECTRICAL PANEL 200A MOUNTED IN POWER PEDESTAL, MODEL: STRONGBOX PWP-12016-65 OR APPROVED EQUAL, INSTALLED ON CONCRETE PAD PER MANUFACTURER SPECIFICATIONS, CONFIGURE PER ONE-LINE DIAGRAM.	1	
	#10 - COPPER AWG - SPT-3 10 GAUGE WIRES BURIED IN CONDUIT PER TRENCHING DETAIL, EXCEPT WHERE CALLED OUT OTHERWISE. CONFORM TO ALL APPLICABLE STATE AND MUNICIPAL REQUIREMENTS.	312 LF	

ONE LINE DIAGRAM:



ELECTRICAL NOTES:

1. VERIFY EXACT LOCATION OF ALL EXISTING UNDERGROUND UTILITIES PRIOR TO THE START OF WORK.
2. THIS DRAWING IS DIAGRAMMATIC. LIGHTING COMPONENTS SHOWN BENEATH PAVING OR PLANTINGS IS FOR GRAPHIC CLARITY ONLY. RUN ALL WIRING IN TRENCHES AND ALONG WALK WHERE POSSIBLE.
3. THE ELECTRICAL CONTRACTOR IS RESPONSIBLE FOR THE CONNECTION OF THE NEW PANEL TO EXISTING MAIN SWITCH BOARD. ALL ELECTRICAL WORK SHALL BE COMPLETED BY A LICENSED ELECTRICAL CONTRACTOR AND SHALL COMPLY TO ALL APPLICABLE PROVISIONS OF THE LATEST EDITION OF THE NATIONAL ELECTRICAL CODE AND STATE AND LOCAL CODES AND REGULATIONS.
4. ALL ELECTRICAL WORK TO COMPLY WITH 2019 CALIFORNIA ELECTRICAL CODE PER CITY AND COUNTY STANDARDS.
5. PROVIDE AS-BUILTS FOR WIRING PATHS.
6. CONTRACTOR IS RESPONSIBLE TO COORDINATE HIS WORK WITH THE WORK OF OTHERS.
7. RUN ALL 120 V WIRE AS PER 2015 NEC AND ALL APPLICABLE LOCAL CODES.
8. RUN WIRE TO APPROPRIATE TAP ON TRANSFORMER ACCORDING TO LENGTH AND WATTAGE AS PER MANUFACTURER'S SPECIFICATIONS.
9. INSTALL LENS COLOR TO MATCH WALLS. COORDINATE WITH LANDSCAPE ARCHITECT.
10. VERIFY ALL LOCATIONS OF LIGHTS WITH LANDSCAPE ARCHITECT PRIOR TO INSTALLATION.
11. USE SPEARS DS-400 PRE-FILLED DRI-SPLICE CONNECTOR W/CRIMP SLEEVE FOR ALL WIRE SPLICES.

NOTE:

FOR RESTROOM BID ALTERNATE, SECURITY LIGHTING TO BE SUPPLIED WITH RESTROOM. LOCATE ELECTRICAL PANEL IN RESTROOM MECHANICAL ROOM. SEE RESTROOM DETAIL.

